



Putzmeister

Stationary concrete pump

BSA 1408 H D

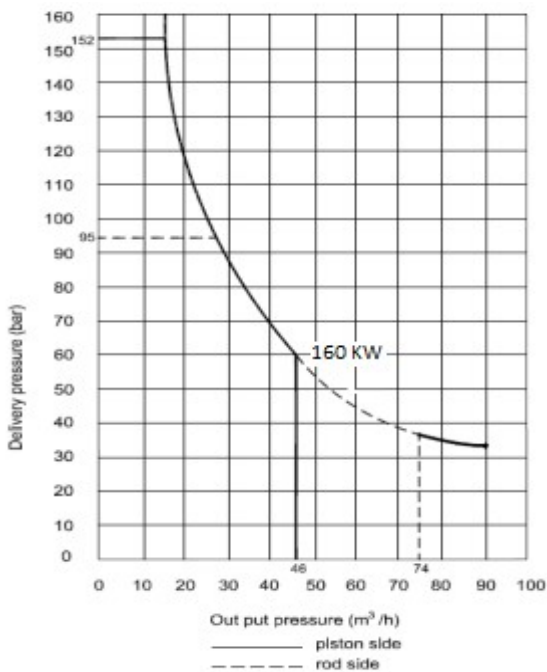
Output up to 74 m³/h

Delivery pressure up to 152bar



Performance Diagram

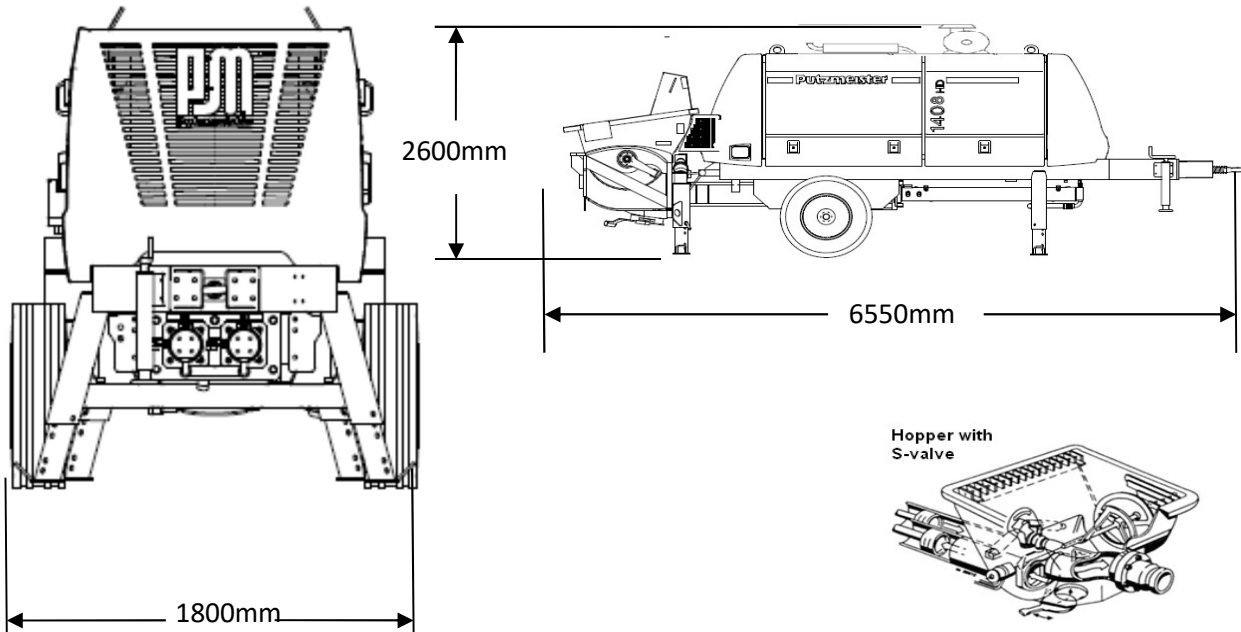
Technical data for concrete pump



Model		BSA 1408 H D
Output	m ³ /h	74/46*
Delivery pressure	bar	95/152*
Delivery cylinder diameter	mm	200
Delivery cyl. stroke	mm	1400
Strokes / minute		28/17*
Engine power	kW	160
Hopper		RS 905 HC
Capacity	l	aprox. 600
Filling height	m	aprox. 1.3
Transfer tube		S 2015DP
Flap straight diameter	mm	150
Control system		FFH
Weight	Kg	5000

All data maximum theoretical

* Values for hydraulic fluid being fed to piston side



Scope of supply

Drive diesel engine, Volvo Penta, TAD542VE, 160 kW

Hopper with agitator

Operating manuals and spare part lists 2x

Trailer F 8, travelling on site

Centralized greased lubrication with hand pump

Grille 70 mm

Splash guard

Mechanical jack with support wheel

Cast wear parts, highly wear resistant

Square outriggers 4x mech.15°-slanting

SBU

Hopper grate safety cut out (RSA)

Flushing water pump, 22 bar, easy for operation

Cable remote control

Rubber collar for hopper

Optional

Drive diesel engine, Ashok Leyland, ALUW06DTI, 164kW.

See quotation for exact serial delivery scope .
Comprehensive range of options available on request .