



Putzmeister



STAGE V
ready to work



Telebelt[®] TBS 130

Semi-Trailer Telescopic Belt Conveyor

Telebelt Versatility



- **Mass concrete placement**
- **Places materials from sand to 100 mm rock**
- **Smooth surge-free conveying results**
- **Tractor-trailer configuration**
- **Chassis versatility meets local requirements**

Semi-Trailer Telescopic Belt conveyor standard features

Boom

- 38.56 m horizontal reach
- Low 4.70 m unfolding height
- Five-section telescopic boom
- Steel/aluminum base with four telescopic high strength aluminum sections
- Maintenance free sealed roller bearings
- Quick telescoping feature
- 360° hydraulic rotation

Main conveyor

- 457 mm 3-ply nylon cord vulcanized spliced belt
- Maximum rated capacity of 275 m³/h
- Infinitely variable belt speed control from 0 to 100 %
- Spring-tensioned carbide scraper system
- Active independent control of the feed and main conveyor systems

Control and operation

- Main conveyor functions controlled by Modular Boom Control (MBC) system
- Single-section maintenance without removing entire valve assembly
- Single joystick controls all boom and feeder movement
- Ergonomic and lightweight standard proportional radio remote control

- Independent belt speed control for main and feed conveyors
- 30 m proportional cable remote
- Manual control backup for all functions

Feeder belt

- 11.60 m aluminum independent hydraulic feed conveyor
- 360° hydraulic rotation allowing material to be loaded from any position desired
- 457 mm belt can be fed by a ready mix truck, dump truck, skidsteer loader or front-end loader
- UHMW polyethylene integrated folding feeder hopper handles the toughest mixes
- Spring-tensioned carbide scraper system

Trunk / end hose

- Standard 200 mm and 305 mm reducers – each with 4.57 m end hoses and chain binder

Material handling

- Ideal for mass concrete placement
- Handles the harshest concrete mix designs at any slump
- No special mix requirements
- Places any type of flowable material up to 100 mm aggregate

Outriggers

- Front outriggers hydraulically swing out and extend down
- Rear outriggers hydraulically extend out and down
- Vertical outrigger cylinders level the Telebelt
- Quick and easy setup in congested areas
- Sets up on solid or rough terrain

Clean out

- Requires only water to clean
- High pressure 173 bar hydraulically-driven pressure washer system
- Large capacity 644 l water tank

Additional standard features

- Ribbed deck
- Large side-mounted aluminum toolbox
- High quality paint finish
- Operators manuals and ship-away kit

Available options

- Rock hopper
- Front-end loader hopper
- Low profile hopper
- Side loading channels
- Custom paint schemes

Telebelts meet your material placement needs

The world's only trailer-mounted telescopic belt conveyor, the Putzmeister Telebelt is a modern marvel. Able to place countless materials, a Telebelt allows you to efficiently handle multiple tasks on a single job site and countless applications in various setups. The machine saves time and labor with quick setup and cleanup, high volumes and precise material placement.

Concrete is just one of many materials that can be efficiently and economically placed with a Telebelt. These machines keep ready

mix trucks safely at the curb and help complete pours faster. Conveying also allows for reduced cement and water content which yields a stronger and more cost effective mix.

From commercial and residential to industrial, civil and environmental, the placing possibilities with a Telebelt are limitless. It is the ideal machine to handle special materials required for unique environmental applications that are unsuitable for other equipment.

Need to place gravel and concrete on the same site in the same day?

Telebelts can perform multiple tasks from a single location.

Have large volumes of a single material to convey in a short amount of time?

Telebelts are ideal for many jobs like flowable fill, land fill lining and wind farm construction. These are just a few applications where a Telebelt is an invaluable asset.



Semi-trailer versatility

Contractors around the world can specify the type of chassis and the trailer axle configuration, either two or three axles, to meet their local weight and jobsite requirements. The Telebelt trailer can be driven with a new or used chassis, or one already part of a fleet.



Engine flexibility

With the TBS 130, a self-contained engine provides all the power needed for material placement. This results in lower operation costs and reduced fuel consumption by matching the engine output to the needs of the Telebelt operation.



Low clearance projects

With extremely low unfolding heights and the ability to be moved rapidly, Putzmeister Telebelts can be set up and operated on jobs with height restrictions such as warehouse slabs. Material can be conveyed long distances in an enclosed structure, under bridges and into limited access structures.



Placement versatility

A Telebelt offers a quick way to easily clear obstacles and place material exactly where you want it without the need for all-wheel drive mixer trucks, skid-steer loaders or other equipment. Ideal for maneuvering around a variety of job sites including mat pours, backfilling, tilt-up projects, bridge decks and slab work.



A clean, efficient and lower cost site

Telebelts do not require priming and all material can be run off the belts eliminating waste. A highly efficient spring-tensioned carbide scraper system keeps the Telebelt and job sites clean.



Setup convenience

An integral part of the feed conveyor, the folding hopper makes setup a breeze. Side panels fold onto the feed conveyor and end panels connect with linchpins. The belt can then be easily fed with a ready mix truck from three sides. Optional hoppers are also available for use with a skid-steer loader, front-end loader or coal chute.

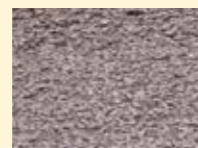
Conveying versatility – Multiple materials in countless applications



Concrete



Gravel



Pervious concrete



Sand



Wood

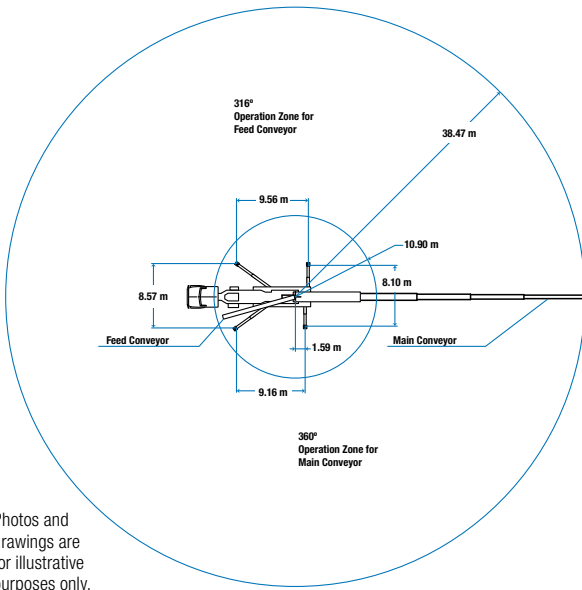
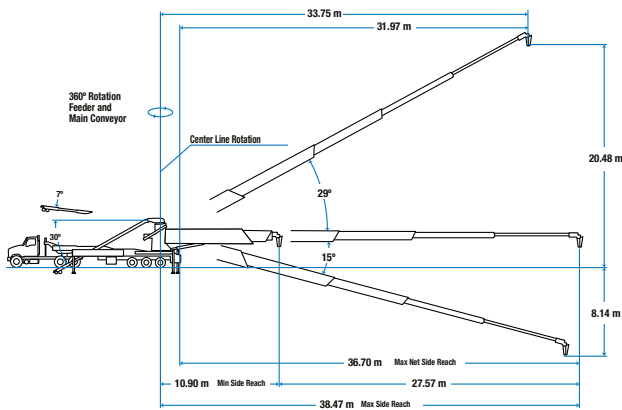
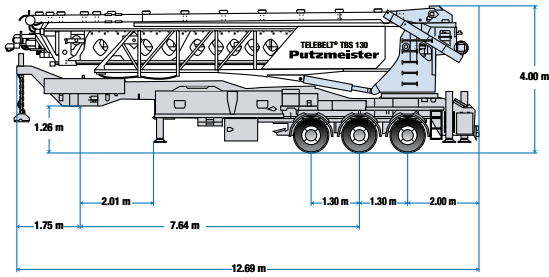


Roller compacted concrete

ADVANTAGE

Telebelt® TBS 130

Technical specifications



Photos and drawings are for illustrative purposes only.

* Truck dimensions will vary with different truck makes, models and specifications. Weight are approximate and include conveyor truck, full hydraulic oil, fuel, water and driver. All specifications apply to units mounted on Mack CXL613 P-impale.

Conveyors

Conveyor horizontal reach —	
Maximum at 0° / 29°	38.47 m / 33.74 m
Conveyor belt width	457 mm
Feed conveyor length	11.60 m
Feed conveyor belt width	457 mm
Trunk/end hose length	4.57 m
Discharge height from grade —	
Maximum at 29° / -15°	20.48 m / -8.14 m
Rated capacity at 0° / up to 20° main & feed conveyors	275 m³/h / 175 m³/h
Rotation – hydraulic	360°

Outriggers

Net reach beyond outriggers —	
at 0° / at 29°	36.70 m / 31.97 m
Outrigger spread L - R — front	8.56 m
hydraulically swing out and extend down	
Outrigger spread L - R — rear	8.10 m
hydraulically telescope out and extend down	

Separate engine

EU stage/EPA	Tier 3	Tier 4 Final / Stage V
Type	Deutz Diesel	Cummins Diesel
Displacement	6.6 l	6.7 l
Power	155 kW (208 HP)	173 kW (232 HP)

Machine weight

Trailer weight	30,390 kg
Counter weight	6,000 kg
Total weight incl. tractor	37,872 kg

Maximum theoretical values listed.

Putzmeister Concrete Pumps GmbH

Max-Eyth-Straße 10 · 72631 Aichtal / Germany
 P.O.Box 2152 · 72629 Aichtal / Germany
 Tel. +49 (7127) 599-0 · Fax +49 (7127) 599-520
 pmw@putzmeister.com · www.putzmeister.com

