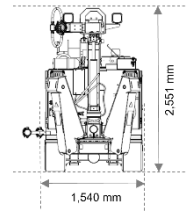


Concrete spraying equipment

Wetkret 3

Compact crawler carrier
Optional platform tilting system



Note: This is a merely informative, non-binding document. Maximum theoretical values listed. Specifications are subject to change without prior notice. Photos and drawings are for illustrative purposes only. For available options, please consult the factory.

Standard equipment

Telescopic spraying arm Putzmeister SA 9.1		
Max. spraying reach (vertical/horizontal)	m	8.79 / 7
Number of arm extensions		3 (2 telescopic)
Telescopic stroke	m	2.7
Number of axles		6
Max. arm angle	°	+65 / -40
Working lights (x2 LED)	W	45

Spraying head		
Rotation	°	360
Inclination	°	+/- 120
Nutation	°	10
Nozzle	DN	40

Remote control		
Dual radio / cable	m	15

Diesel engine (two options)		
EU-Stage IIIA	kW (HP)	19.7 (25)
EU-Stage V	kW (HP)	18.4 (24)

Dual drive system		
Electric	kW	11

Diesel		Diesel engine
--------	--	---------------

Crawler carrier		
Weight (without/with load)	kg	5,000 / 5,500
Maximum climbing capacity at full load (longitudinal/ trasversal)	%	57 / 17
Transmission		Hydrostatic
Maximum speed	km/h	3.6
Driving		2 speed
Steering		2 rubber crawlers
Parking break (negative)		Automatic
Driving lights (x4)	W	35
Electric equipment (x2 batteries)	V / Ah	12 / 77
Oil tank	l	235
Diesel tank	l	65
Support legs		

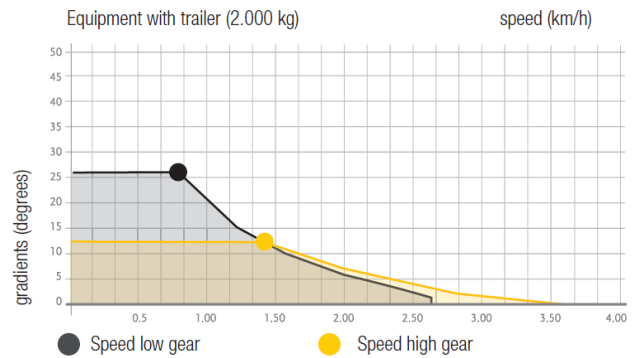
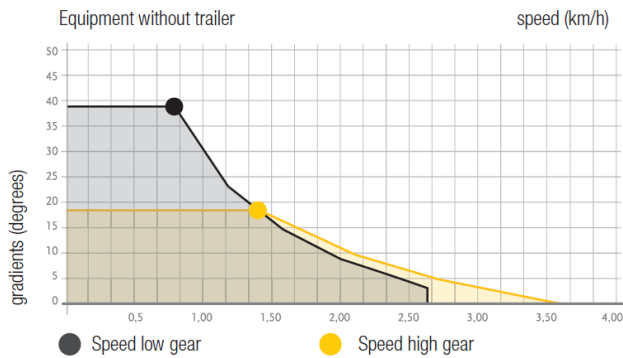
Supply values		
Max. concrete flow	m ³ /h	20
Max. pressure on concrete	bar	65
Hose's diameter	mm	65
Max. aggregate size	mm	16
Max. air flow	m ³ /min	10
Max. air pressure	bar	8

Optional equipment

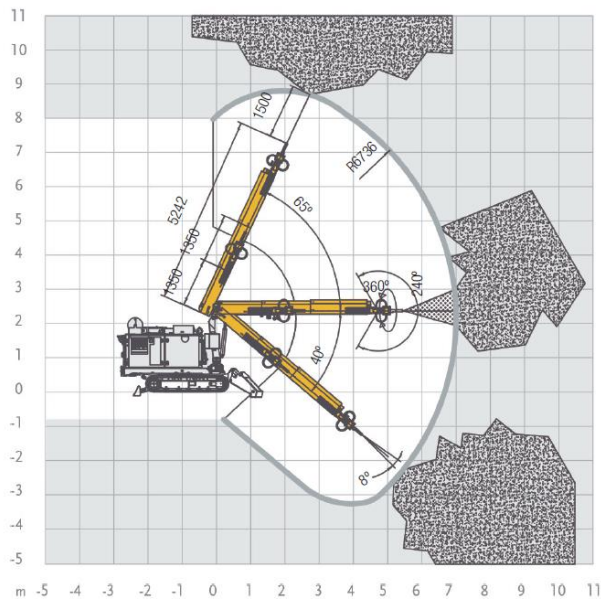
Platform tilting system		
Drive		Hydraulic
Slope	°	+/- 30
Rear blade-type stabilizer		
<i>Mandatory for working in upslopes with more than of 10° longitudinal gradient</i>		
Winch (two options)		Steel cable
Load	kg	6,800
Cable length	m	50
		Synthetic cable
		7,300
		50
<i>Mandatory for working in downslopes with more than of 10° longitudinal gradient together with the platform tilting system</i>		
Fire suppression system		
ANSUL		Automatic
DAFO		Automatic

Additive system		
Type		Hydraulic DL18
Adjustment range	l/h	60-500
Max. pressure	bar	10
Tank	l	180
Cable reel		
Drive		Manual
Cable length	m	45
Conexon kit with Putzmeister concrete pump		
Spraying head's kit (black-white, without proporcionality)		

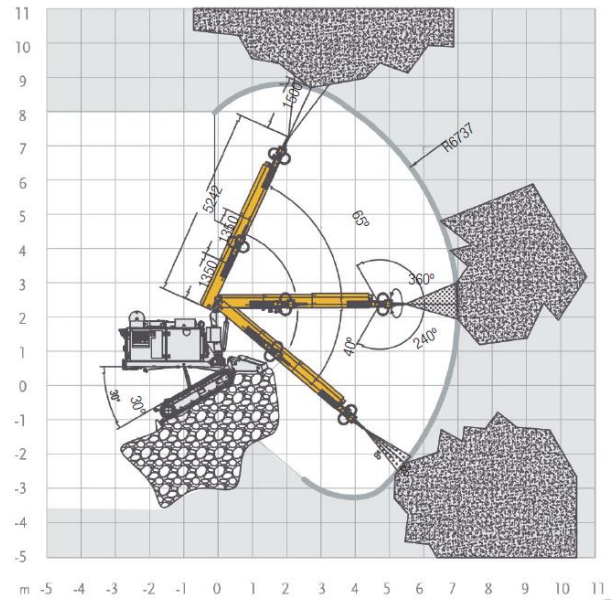
Climbing capacity



Spraying arm reach diagrams



Vertical spraying reach



Vertical spraying reach with front tilting