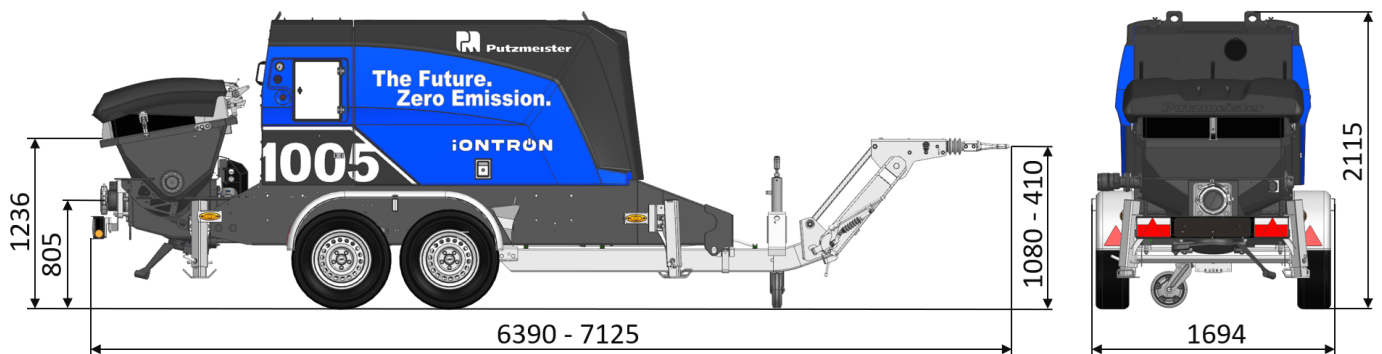


Stationary concrete pump BSA 1005 iONTRON (F 80)

Output up to 47 m³/h
 Delivery pressure up to 55 bar

iONTRON



Note: Pre-series. Dimensions and weights depend on equipment. Subject to technical modifications and errors.

Technical data

Model		BSA 1005 iONTRON
Material number		102999.000
Output	m ³ /h	47
Delivery pressure	bar	55
Delivery cylinder	Ø mm	180
Delivery cyl. stroke	mm	1000
Strokes / minute		31
Engine / motor power	kW	40
Hopper		RS 488
Capacity	l	approx. 350
Filling height	m	1.23
Transfer tube		S 1812
Line connection	mm	SK 125
Pressure connection	"	5.5
Control system		Ergonic 3.0
Weight	kg	3500

Serial equipment

Agitator safety switch off	Operating manuals and spare part list
Cable remote control 10 m	Output adjustment, electrical
Central lubrication on hopper with hand lever press	Outriggers 3 × mech.
Chassis F80	Speed drawdown automatically on pump stop
Cleaning accessories	Splash guard
Coloring: Pump, frame, roof anthracite-grey Doors traffic blue	Standard equipment
Concrete hopper with agitator	Support wheel
Drawbar eye (DIN)	
Drive accu pack 78 kWh	
Electronic error management	
Ergonic Graphic Display	
Flushing water pump 50 l/min 20 bar	
Grill 60 mm	

All data maximum theoretical

See quotation for exact serial delivery scope.
 Comprehensive range of options available on request.