



**Putzmeister**



# The BSA 1000 series — compact innovation

Robust, economic and flexibly adaptable to your applications



# The BSA 1000 series – Concrete professional for urban and rural areas

## Details that make all the difference

We have equipped our BSA 1000 series with many sophisticated new features. Aside from being able to work in inner-city areas in a way that is fully compliant with standards, you will also enjoy the intuitive operation, innovative design, economy and many solutions for easy service and maintenance.



## Why choose a stationary concrete pump from Putzmeister?

Because the individual components such as the drive motor, piston pump with OPS hydraulics, S transfer tube and the Ergonic® 3 PS computer-aided control system work in perfect harmony to ensure the highest possible pump output and maximum smoothness.



**ELECTRIC OR DIESEL**  
**LONG-STROKE PISTON PUMPS**  
**MEM MEMORY FUNCTION**  
**REMOTE CONTROL**  
**S TRANSFER TUBE**  
**PUTZMEISTER**  
**PERFORMANCE**



### For machine operators

- Control area for all functions on the right side
- Intuitive operation
- Colour display with clear layout
- Clean work thanks to folding splash guard on the hopper
- Overview over fuel and hydraulic fluid level, pump and drive motor status
- Time savings thanks to reduced daily maintenance



### For service personnel

- Improved access to machine components
- Many globally standardised parts for the entire 1000 series and fewer components overall
- Central maintenance points
- Side cover easy to remove for revisions
- Large service space for change of delivery piston

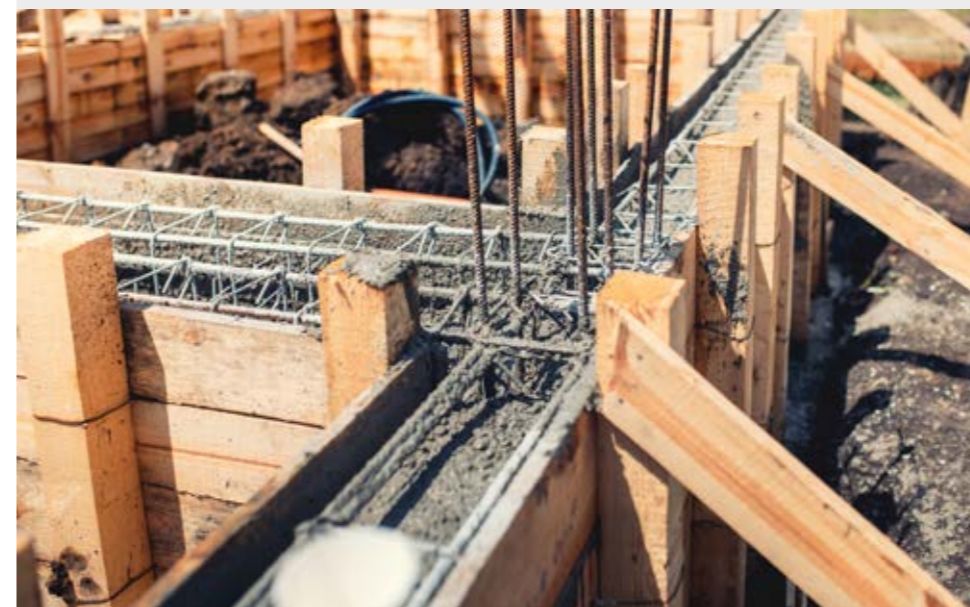


### For owners

- Easy approval, since all machines are CE-certified
- Stage V emissions
- High level of versatility with options and components
- Maximum availability and durability
- Reduced costs thanks to lower fuel consumption and wear
- Time savings, for example thanks to less maintenance and service

## At home wherever space is tight

The compact multi-purpose concrete pump, equipped with a Deutz diesel engine with emissions Stage V or an electric motor, is suitable for flexible use on smaller construction sites and for wet concrete spraying – wherever space is in short supply.



## Benefits at a glance

- Compliant with Stage V (EU directives)
- Economic and ecological benefits, for example thanks to largely maintenance-free components, standard components, reduced consumption of resources, minimum emissions
- Durable thanks to robust chassis
- MEM memory function: Speed of rotation and performance values saved permanently
- Cable remote control included



# All-rounder – small dimensions, great possibilities



## “Close to your business” – not just a slogan but reality

We focus on helping you work productively and economically, but also as comfortably as possible. The simple and convenient operating elements, the hopper and the centralised lubrication system are just a few of the many features that make your work noticeably easier.

## The hood – extremely robust and user-friendly

- Durable thanks to extremely robust material
- Internal steel frame
- Minimum width with flaps open, wing doors as weather protection incl. drain channel for rainwater and separate, fully removable flap for optimum service access

## Hydraulic system – lower consumption thanks to intelligent components

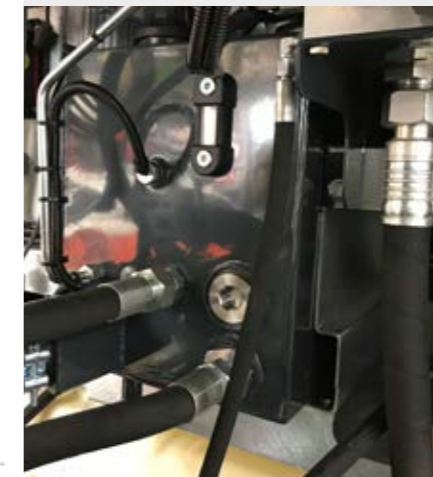
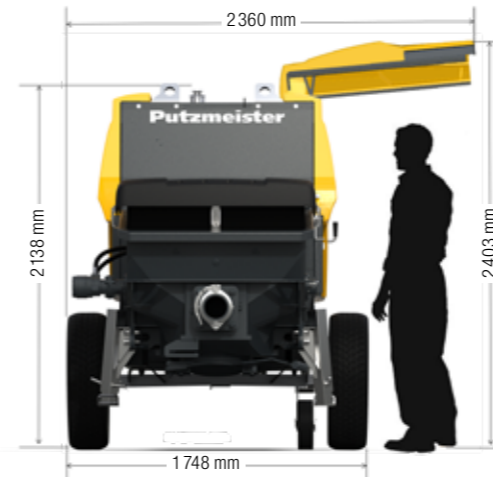
- Optimised hydraulic fluid volume thanks to sophisticated control system and new computer-aided reservoir design
- Quiet hydraulic fluid radiator motor, fewer control valves, automatic hydraulic fluid temperature control

## Frame – reinforced for extreme conditions

- Galvanised brackets for maximum corrosion protection
- Durable RS488 hopper with support leg for better load transfer
- Support wheel with perfect manoeuvrability, support feet with flange for easy repair and replacement
- SK125 connection on the hopper for directly fitting the standard delivery line without reducer

## Stage V diesel engine – quality “made in Germany”

- Intercooled Deutz TCD 2.2 L3/55 kW – higher efficiency, compact three-cylinder design
- DVERT® particulate filter system (DPF)
- Low maintenance costs and maximum availability thanks to few oil change intervals and maintenance-free valve train
- Optimum engine power with minimum consumption values and emission ratings thanks to common-rail injection system



## Cable and radio remote control – robust and offering many functions

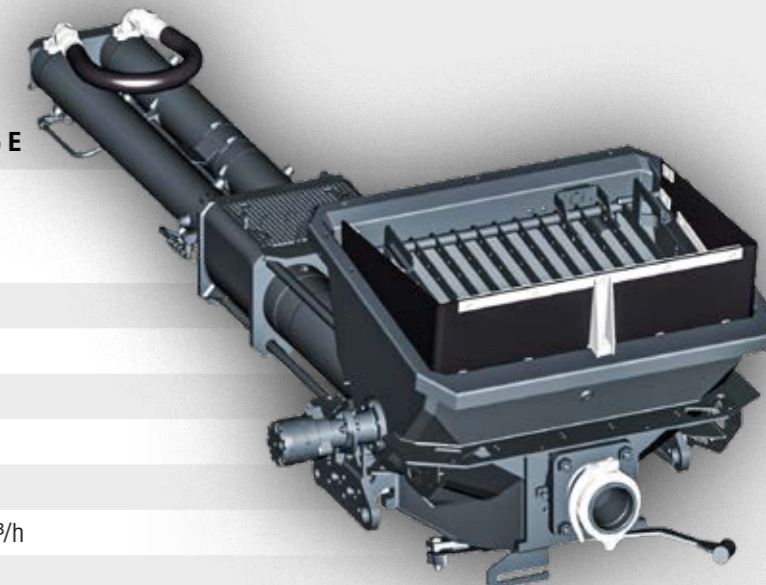
- Operating panel with most important functions incl. MEM function
- Radio remote control with reach of up to 250 m, with i-Log
- Radio remote control is detected automatically



## Technical data

	1005 D5	1006 D5	1005 E	1006 E
<b>Drive</b>	55 kW Deutz TCD 2.2 L3 Stage V		45 kW 400V/50Hz ABB ie03	
<b>Tank volume</b>	120 l (diesel)		–	
<b>Weight</b>	2900 kg		3100 kg	
<b>Hydraulic fluid</b>	46 l		46 l	
<b>Delivery cylinder</b>	180 Ø mm		180 Ø mm	
<b>Piston stroke</b>	1 000 mm		1 000 mm	
<b>Output up to</b>	52 m³/h	64 m³/h	47 m³/h	59 m³/h
<b>Concrete pressure up to</b>	70 bar	55 bar	70 bar	55 bar

All data represents theoretical maximum values.  
Max. output and max. concrete pressure cannot be operated at the same time.





# You can rely on Putzmeister – service, parts, training

## Everything that characterises good service

Rapid assistance, target-oriented consultation and reliable provision of original Putzmeister accessories and parts – globally to more than 120 countries. At Putzmeister, this is what we understand by excellent service.

### Designed to support you in the best way possible

We offer ongoing training courses to ensure our service technicians are always fully qualified, provide a dense information network as well as state-of-the-art equipment and focus consistently on the needs of our customers.

State-of-the-art technology provides our employees with all the relevant technical information about your machine, whenever it is required, so that we can assist you efficiently in the event of an emergency, repairs or preventive maintenance.



## Our offers for economical working

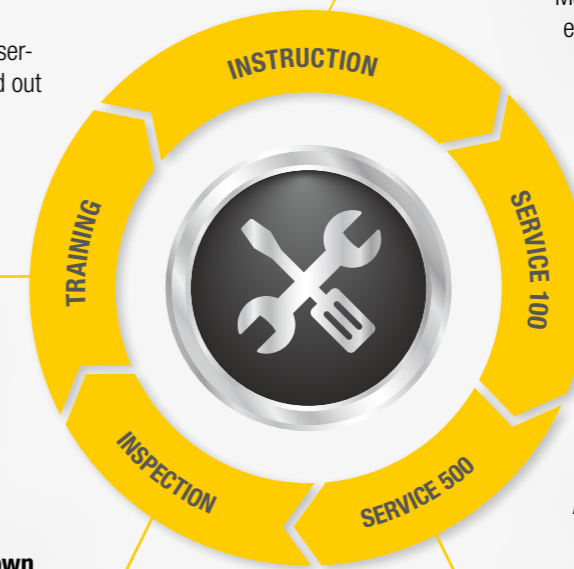
Putzmeister service centres offer these services, among others. They are all carried out by our experienced service team.

### Customer training – benefit from professional knowledge

Practical learning offers a host of benefits: Your employees will be able to master the machine and all of its special features, use it correctly, reduce operating costs and avoid operating errors.

### Obligatory machine inspection – calculable costs instead of breakdown costs that spiral out of control

Visual inspection and function check of components for 100% safety. The hydraulic system with cylinders, electrical system and core pump are also inspected.



### Instruction during product handover – getting things right from the start

Making sure that you and your machine operators become completely familiar with all the special features and new innovations.

### After-sales service after 100 hours – avoid sources of error

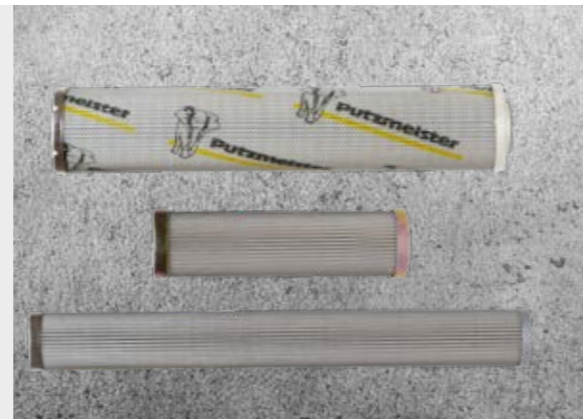
This after-sales service provides you with a status report for your concrete pump in line with the Putzmeister service plan.

### After-sales service after 500 hours – protecting your investment and retaining value

Our technical After Sales department is your first port of call for checking the safety and wear of your machine. You will also receive a status report after the check.

## Original parts for maximum availability

Needless to say, we only use Putzmeister original parts in our workshops because it is the only way we can guarantee continuous certified quality. You can rest assured that your machine will be able to meet tough site requirements at maximum power and availability.



## Not all services are the same

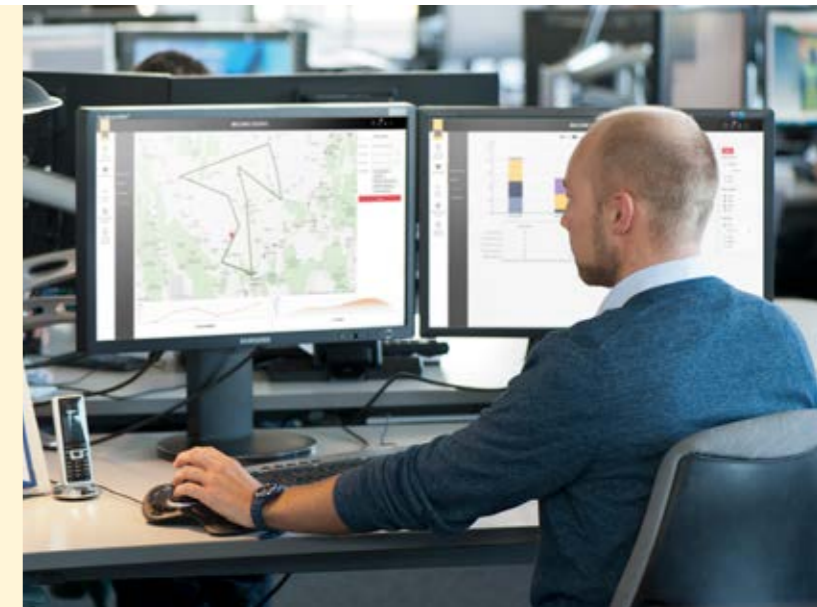
You can choose between remote service via remote access or an expanded service and display in the Machine Cockpit

### Remote service

- **Remote service:** Putzmeister Service can read out machine data remotely and provide support for troubleshooting. Increases the productive time on the construction site and reduces downtime

### Machine Cockpit (incl. all benefits of remote service)

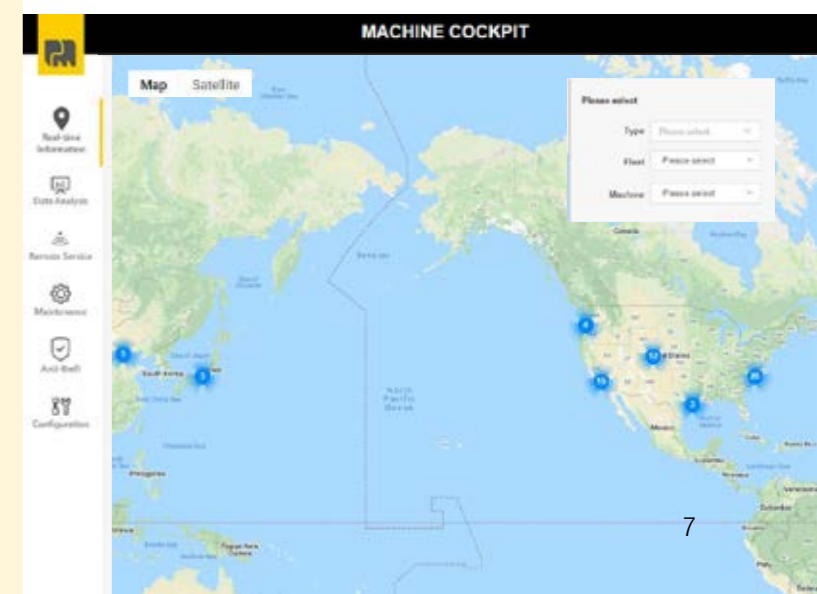
- **Real-time data:** Information about the entire fleet available at any time in clear layout
- **Data analysis:** The most important machine parameters like fuel consumption, utilisation, status, pumped volume, etc. at a glance for easy analysis
- **Maintenance summary:** Service tool for the entire fleet – with summary of all pending maintenance with operating hours meter, prevents unexpected downtime
- **Geofence:** Sends warning via e-mail if the machine leaves a pre-defined corridor



## Premium quality and customer proximity

If your machine is experiencing problems, you have two options: Either the service team can pay you a visit or you can bring your machine to one of our service workshops. State-of-the-art equipment, software analysis tools and original parts will guarantee that your machine will be ready for use again in no time.

All Putzmeister workshops and global Putzmeister partner workshops operate in line with our high quality standards, which is especially important when conducting manufacturer inspections and acceptance tests.



# The BSA 1000 series – individually adapted to your application

## New equipment options:

- Carbide wear part set and long-life pistons – two to four times longer life limit
- Electric centralised lubrication system: The right lubrication volume at all times extends the life limit of the bearings on the switch cylinder, S transfer tube and agitator
- Folding spray guard with two catches and integrated hopper light
- Working light in hopper area for improved safety at work
- High-pressure water pump with 10.6 l/140 bar to combat stubborn dirt
- Air compressor with 745 l/10 bar for on-site pipe cleaning
- Bio hydraulic fluid package with bypass filter
- Gate valve connection
- F80 chassis
- Skid frame instead of chassis frame
- Hopper extension up to 850 l
- Pump control system with fill-level sensors, incl. signal lights
- USB charging port on control cabinet, with universal smartphone bracket
- Sponge ball container
- Horn
- Comprehensive toolbox and delivery note box
- Remote service/Machine Cockpit for real-time data and remote maintenance



## Putzmeister Concrete Pumps GmbH

Max-Eyth-Straße 10 · 72631 Aichtal / Germany  
P.O.Box 2152 · 72629 Aichtal / Germany  
Tel. +49 (7127) 599-0 · Fax +49 (7127) 599-520  
pmw@putzmeister.com · www.putzmeister.com

