

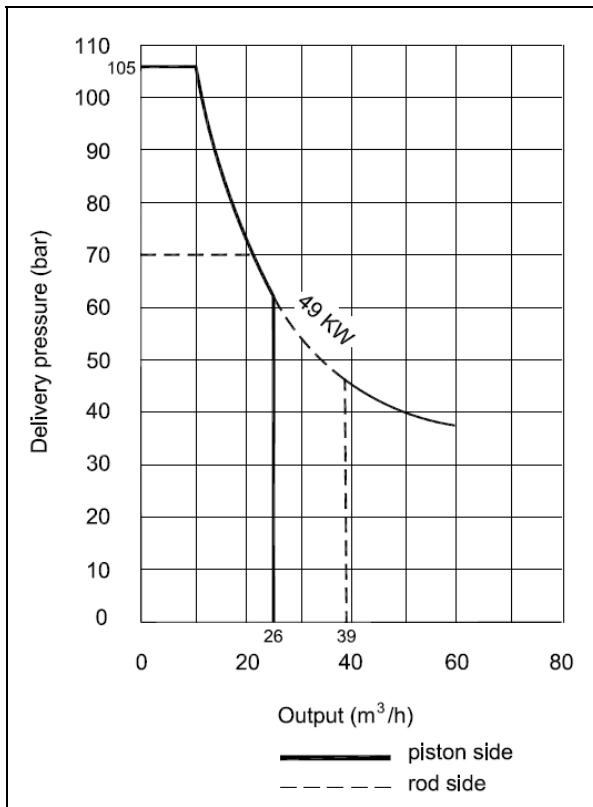
# Concrete pump

# BSA 1004 HD

Output up to 39 m<sup>3</sup>/h  
 Delivery pressure up to 105 bar



Performance diagram

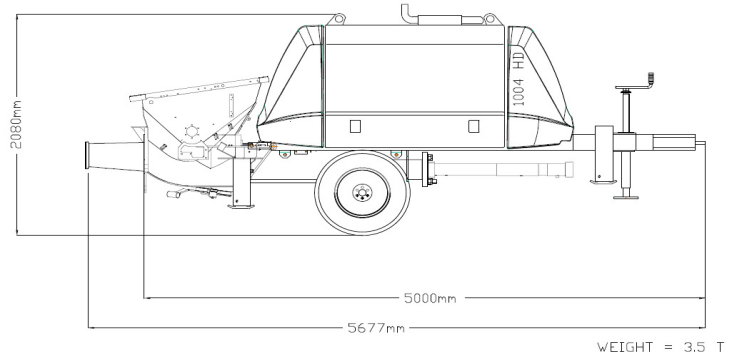
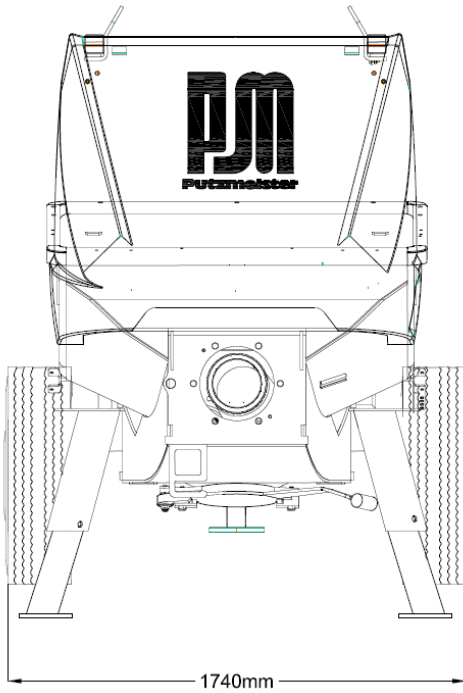


Technical data for concrete pump

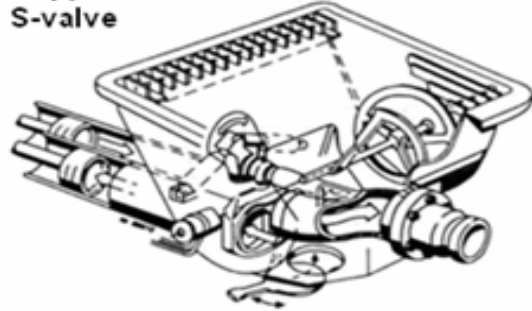
Model		BSA 1004 HD
Output	m <sup>3</sup> /h	39/26*
Delivery pressure	bar	70/105*
Delivery cylinder	∅ mm	180
Delivery cyl. stroke	mm	1000
Strokes / minute		26/17*
Engine power	KW	49
Hopper Capacity	L	RS 905A aprox. 600
Filling height	m	1.3
Transfer tube		S 2018 PN
Flap straight	∅ mm	150
Control system		VHS

\* Values indicate piston side.

All Data Maximum Theoretical



**Hopper with S-valve**



### Scope of delivery

#### Standard

- Drive diesel engine, Deutz, F04L0912 , 49KW, Air cooled
- Square outriggers 3 Nos – (2 x mech. 15° slanting and 1 x straight)
- Hopper with agitator
- Operating manuals and spare part lists 2x
- Trailer F 8, travelling on site
- Central lubrication strip hopper.
- Grille 70 mm
- Splash guard
- Mechanical jack with tow bar
- Cast wear parts, highly wear resistant
- Chrome delivery cylinder
- Reducer kit, consisting of:
  - reducer 6" – 5 1/2 " – 1200mm including 6" coupling and seal

#### Optional/extras

- Flushing water pump, 22 bar, easy for operation
- SBU
- Connection kit for connecting alternative pipelines, consisting of:
  - PM weld on ring 5 1/2 "
  - PM clamp coupling 5 1/2 "
  - PM seal 5 1/2 "

**Please see quotation for exact delivery scope**

Putzmeister Concrete Machines Pvt. Ltd. Plot No. N4, Phase IV, Verna Industrial Estate, Verna Salcete, Goa-403 722, India

Tel- +91 832 669 6000, Fax - +91832 669 6300, Website – [www.pmw.co.in](http://www.pmw.co.in)

For all your support needs, contact - Sales – [sales@pmw.co.in](mailto:sales@pmw.co.in) Service – [aps@pmw.co.in](mailto:aps@pmw.co.in)